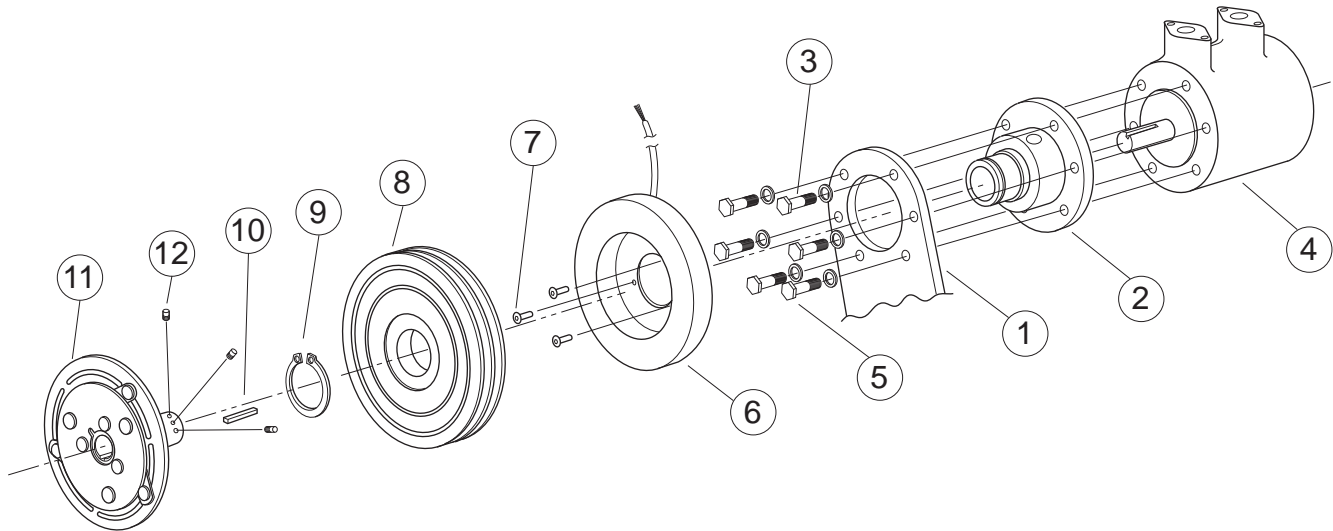


Warner Electric Pump Clutch Mounting Part No. 1415-4 and 1415-10

P-1409
819-0348

Installation Instructions



Introduction

This sheet has been prepared to provide step by step instructions for assembling/installing Warner Electric pump clutches. Please follow the instructions carefully, referring to the exploded view to assemble the clutch.

⚠ WARNING Failure to follow these instructions may result in product damage, equipment damage, and serious or fatal injury to personnel.

Step 1

Assemble pump adapter (2) to mounting bracket (1) with the two 3/8-16 x 1" Lg. capscrew and lockwasher sets (3) furnished.

Step 2

Mount the adapter/mounting bracket assembled in Step 1 to the pump (4) with four 3/8-16 x 1-1/2" Lg. capscrew and lockwasher sets (3) furnished.

Step 3

Slide field assembly (6) onto pump adapter (2) and fasten with three socket head screws 1/4-20 x 3/8" Lg. (7).

Step 4

Slide rotor (8) onto nose of adapter (2). This is a slip fit and can be pushed on by hand.

Step 5

Expand retaining ring (9) with retaining ring pliers and install in groove adjacent to rotor bearing in pump adapter (2). Make sure retaining ring is fully seated by compressing it into groove with a screwdriver.

Step 6

Insert key (10) into pump (4) shaft keyway.

Step 7

Slide armature assembly (11) onto pump shaft until it bottoms against the rotor, then back out .030 inch, measuring this airgap with a thickness gauge in at least three places.

Step 8

Tighten the three set screws (12) in the armature hub by inserting an allen wrench through the hole provided in the pump adapter (2).

The clutch has now been mounted and is ready to be wired to a power source.

Warranty

Warner Electric LLC warrants that it will repair or replace (whichever it deems advisable) any product manufactured and sold by it which proves to be defective in material or workmanship within a period of one (1) year from the date of original purchase for consumer, commercial or industrial use.

This warranty extends only to the original purchaser and is not transferable or assignable without Warner Electric LLC's prior consent.

Warranty service can be obtained in the U.S.A. by returning any defective product, transportation charges prepaid, to the appropriate Warner Electric LLC factory. Additional warranty information may be obtained by writing the Customer Satisfaction Department, Warner Electric LLC, 449 Gardner Street, South Beloit, Illinois 61080, or by calling 815-389-3771.

A purchase receipt or other proof of original purchase will be required before warranty service is rendered. If found defective under the terms of this warranty, repair or replacement will be made, without charge, together with a refund for transportation costs. If found not to be defective, you will be notified and, with your consent, the item will be repaired or replaced and returned to you at your expense.

This warranty covers normal use and does not cover damage or defect which results from alteration, accident, neglect, or improper installation, operation, or maintenance.

Some states do not allow limitation on how long an implied warranty lasts, so the above limitation may not apply to you.

Warner Electric LLC's obligation under this warranty is limited to the repair or replacement of the defective product and in no event shall Warner Electric LLC be liable for consequential, indirect, or incidental damages of any kind incurred by reason of the manufacture, sale or use of any defective product. Warner Electric LLC neither assumes nor authorizes any other person to give any other warranty or to assume any other obligation or liability on its behalf.

WITH RESPECT TO CONSUMER USE OF THE PRODUCT, ANY IMPLIED WARRANTIES WHICH THE CONSUMER MAY HAVE ARE LIMITED IN DURATION TO ONE YEAR FROM THE DATE OF ORIGINAL CONSUMER PURCHASE. WITH RESPECT TO COMMERCIAL AND INDUSTRIAL USES OF THE PRODUCT, THE FOREGOING WARRANTY IS IN LIEU OF AND EXCLUDES ALL OTHER WARRANTIES, WHETHER EXPRESSED OR IMPLIED BY OPERATION OF LAW OR OTHERWISE, INCLUDING, BUT NOT LIMITED TO, ANY IMPLIED WARRANTIES OF MERCHANTABILITY OR FITNESS.

Some states do not allow the exclusion or limitation of incidental or consequential damages, so the above limitation or exclusion may not apply to you. This warranty gives you specific legal rights and you may also have other rights which vary from state to state.

Changes in Dimensions and Specifications

All dimensions and specifications shown in Warner Electric catalogs are subject to change without notice. Weights do not include weight of boxing for shipment. Certified prints will be furnished without charge on request to Warner Electric.



Warner Electric LLC
449 Gardner Street • South Beloit, IL 61080
815-389-3771 • Fax: 815-389-2582
www.warnerelectric.com